

■ steel

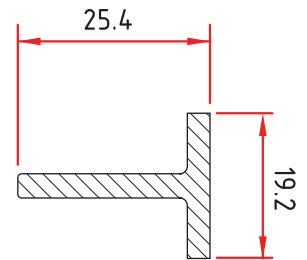
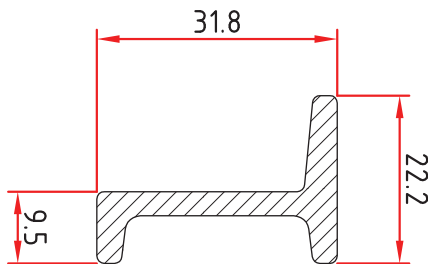
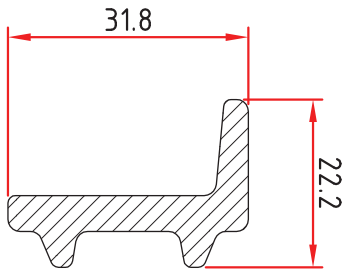
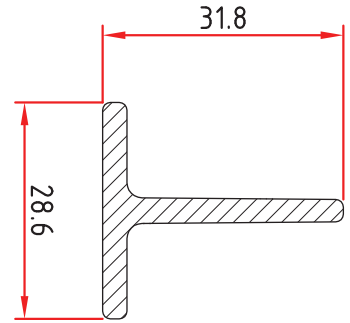
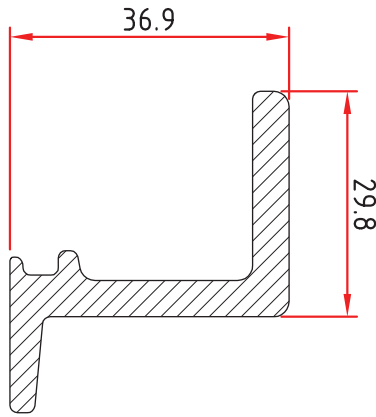
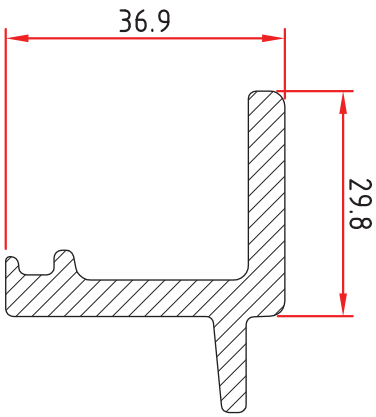
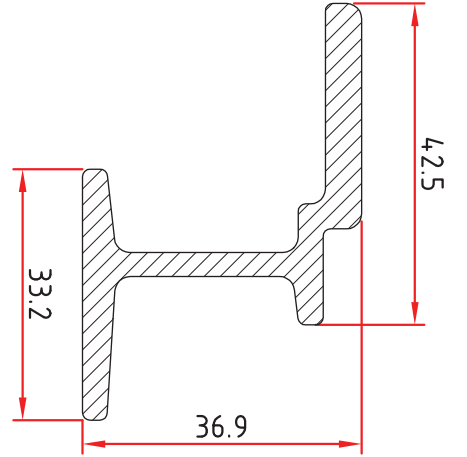
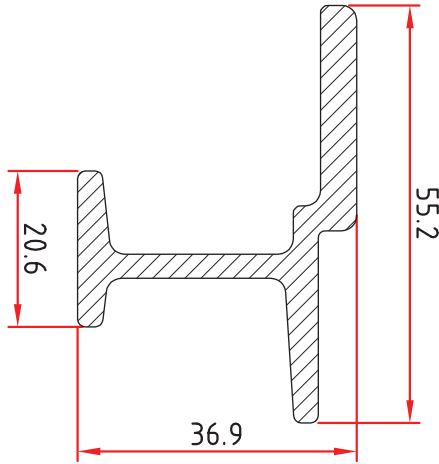
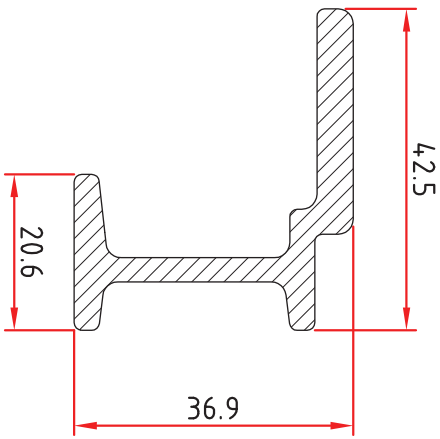
*classic line*  
DISTINCTIVE STEEL WINDOW SYSTEMS

**W20**

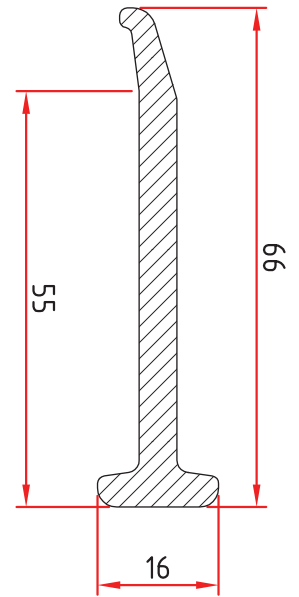
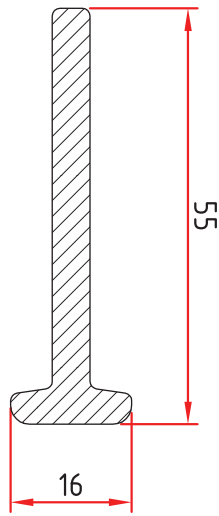
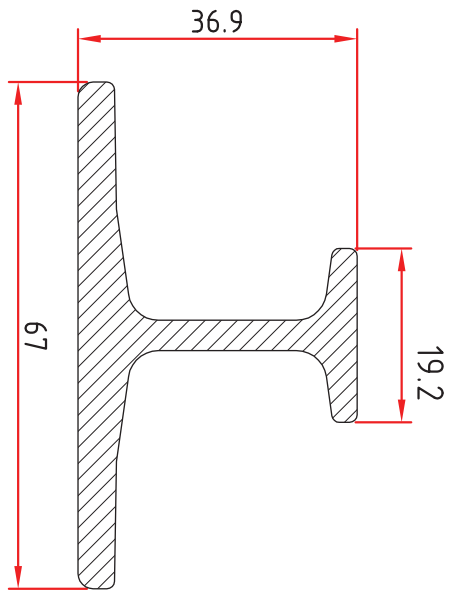
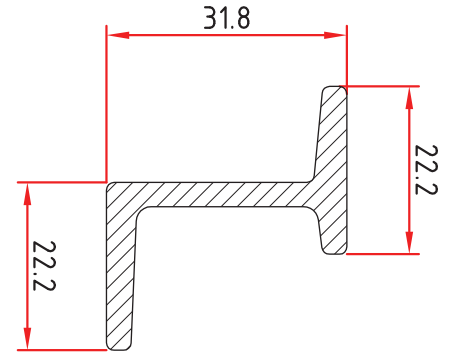
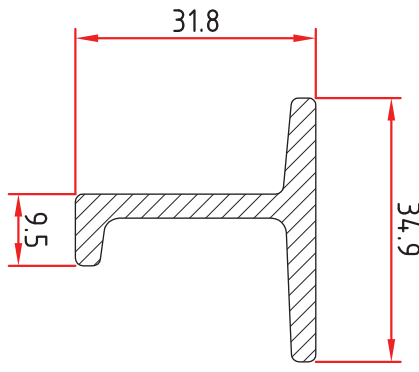
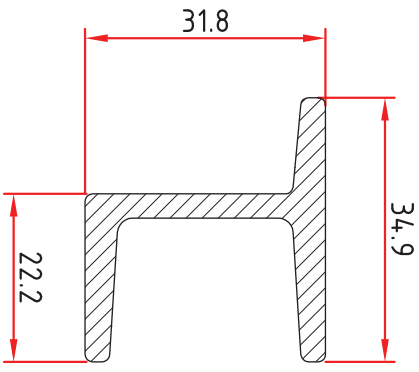


Steel Design 

# Profiles

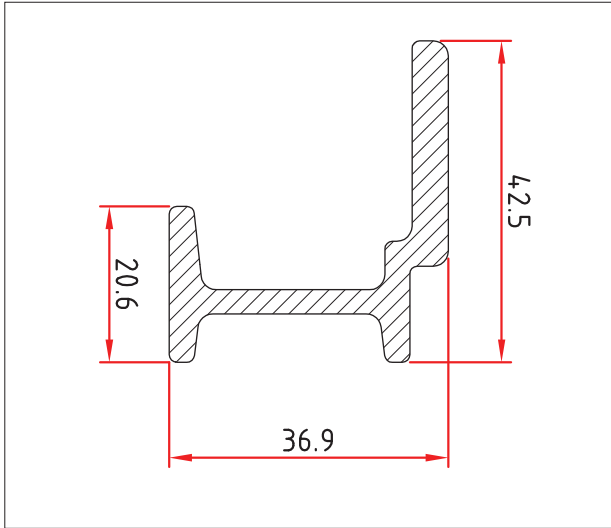


# Profiles



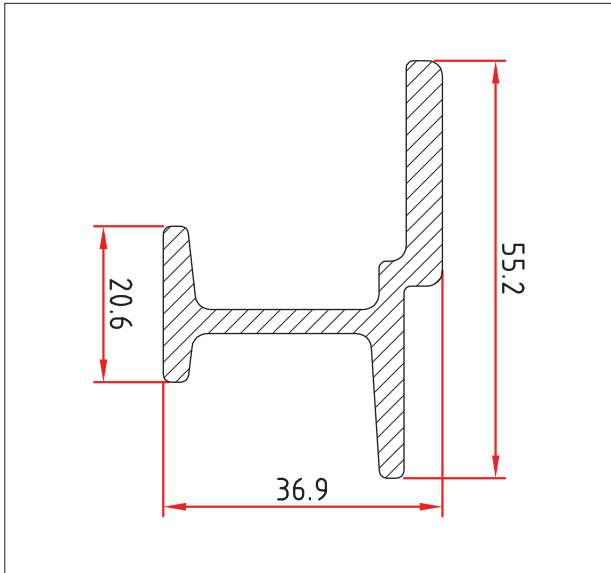
Material strenght

630



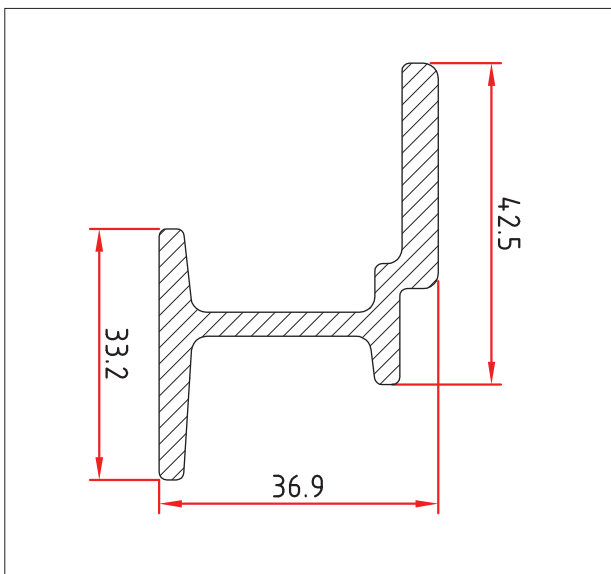
W = 2.82 kg/m

637



W = 3.16 kg/m

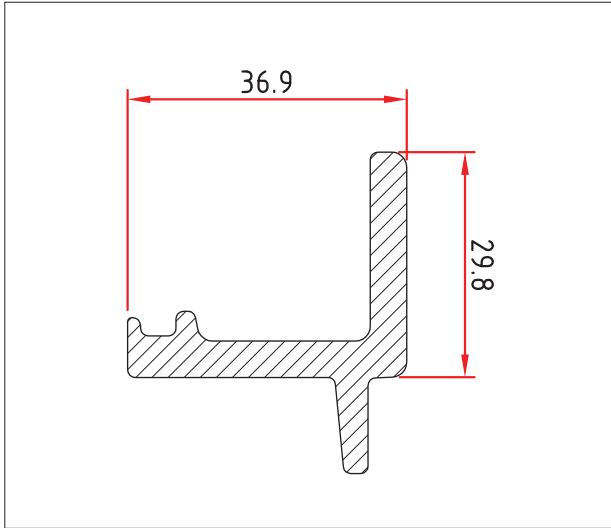
631



W = 3.2 kg/m

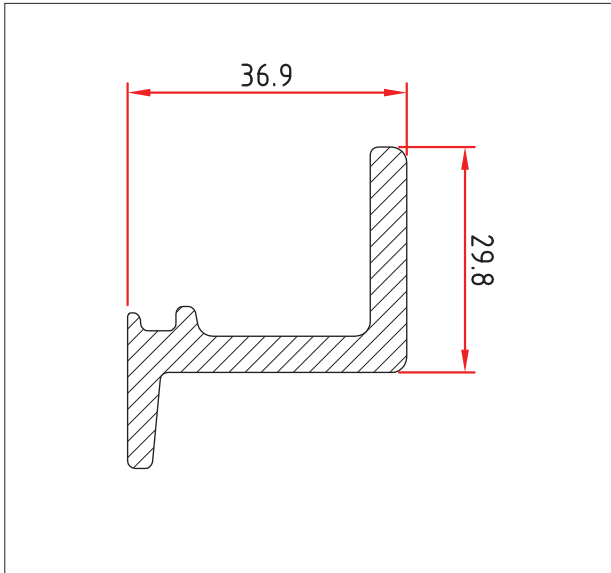
Material strenght

628



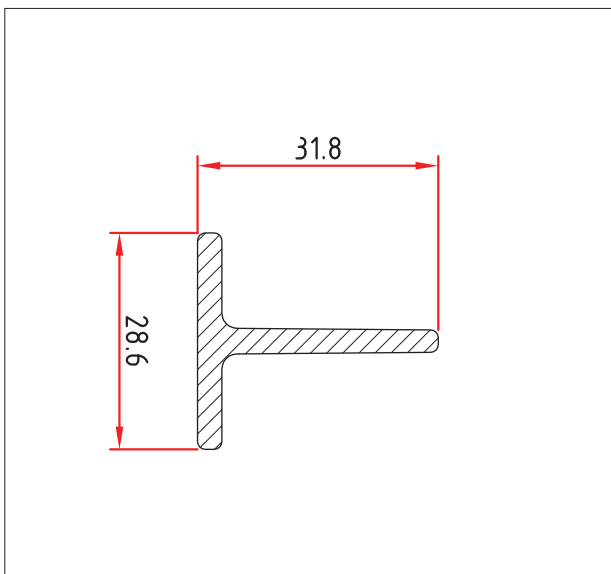
W = 2.9 kg/m

629



W = 2.9 kg/m

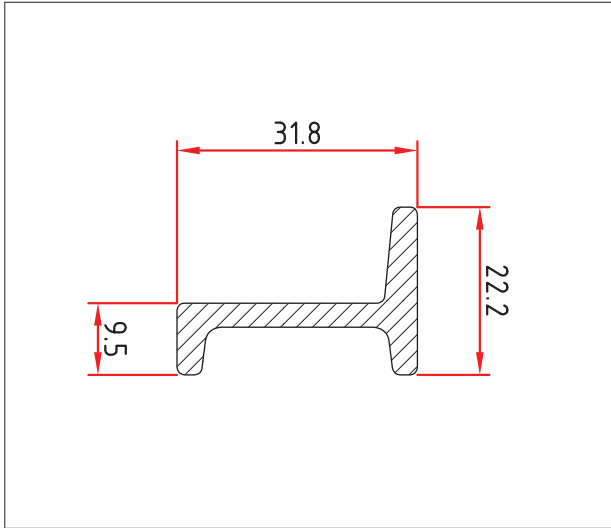
644



W = 1.4 kg/m

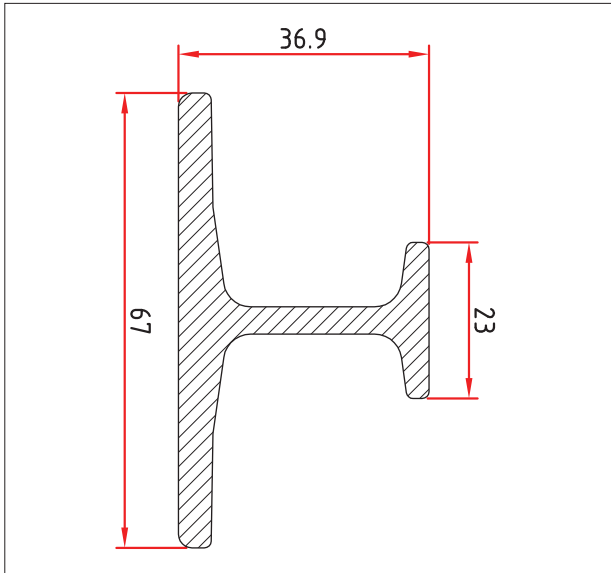
Material strenght

640



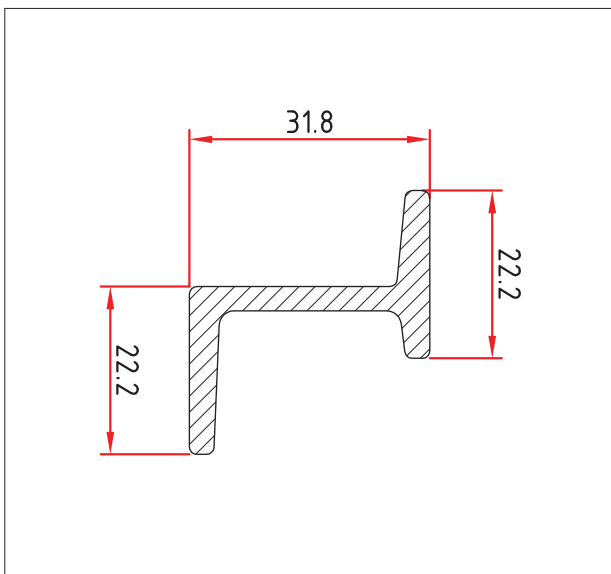
W = 1.53 kg/m

815



W = 4.51 kg/m

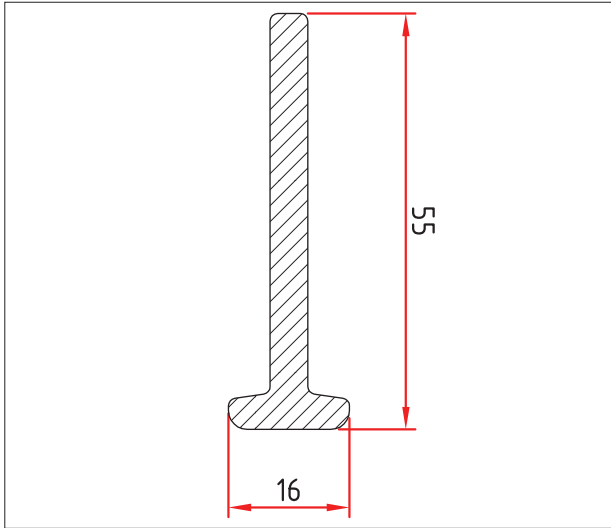
641



W = 1.90 kg/m

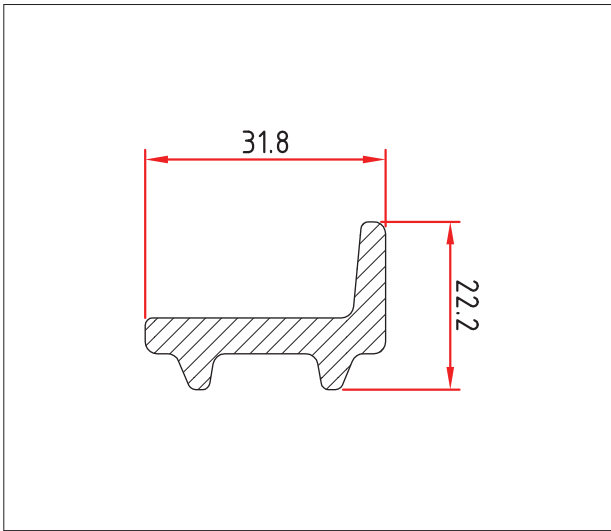
Material strenght

639



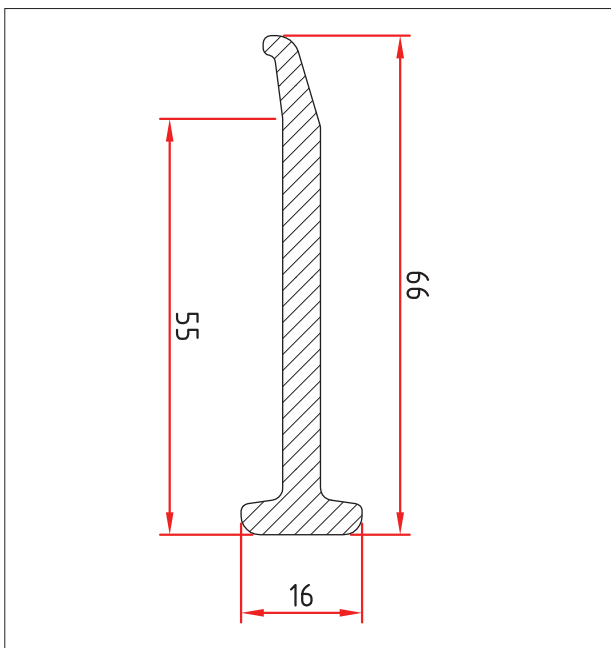
W = 2.51 kg/m

627



W = 1.84 kg/m

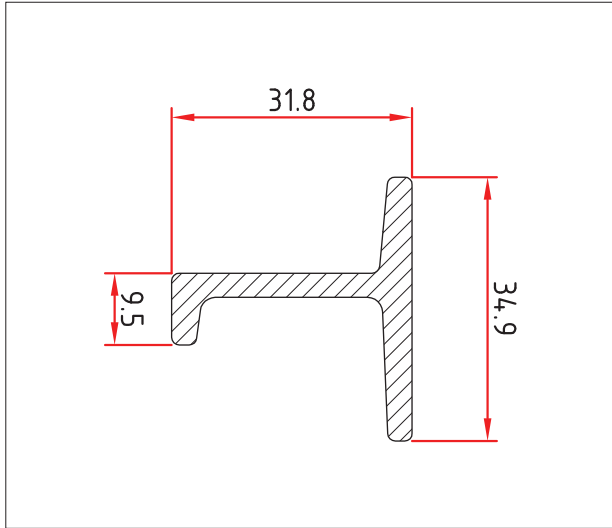
638



W = 2.86 kg/m

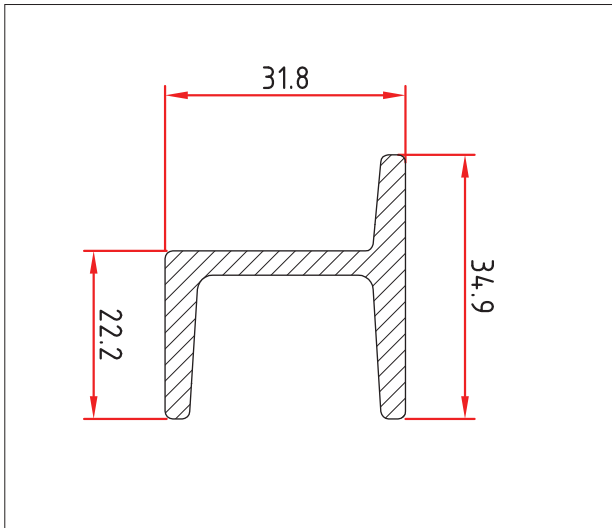
Material strenght

649



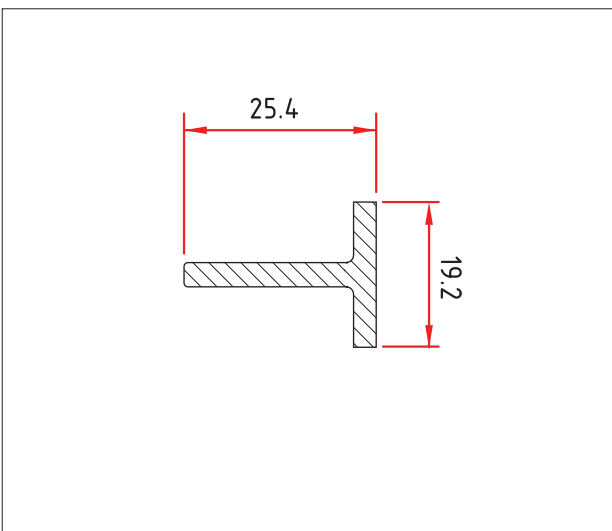
W = 1.9 kg/m

642



W = 2.31 kg/m

820



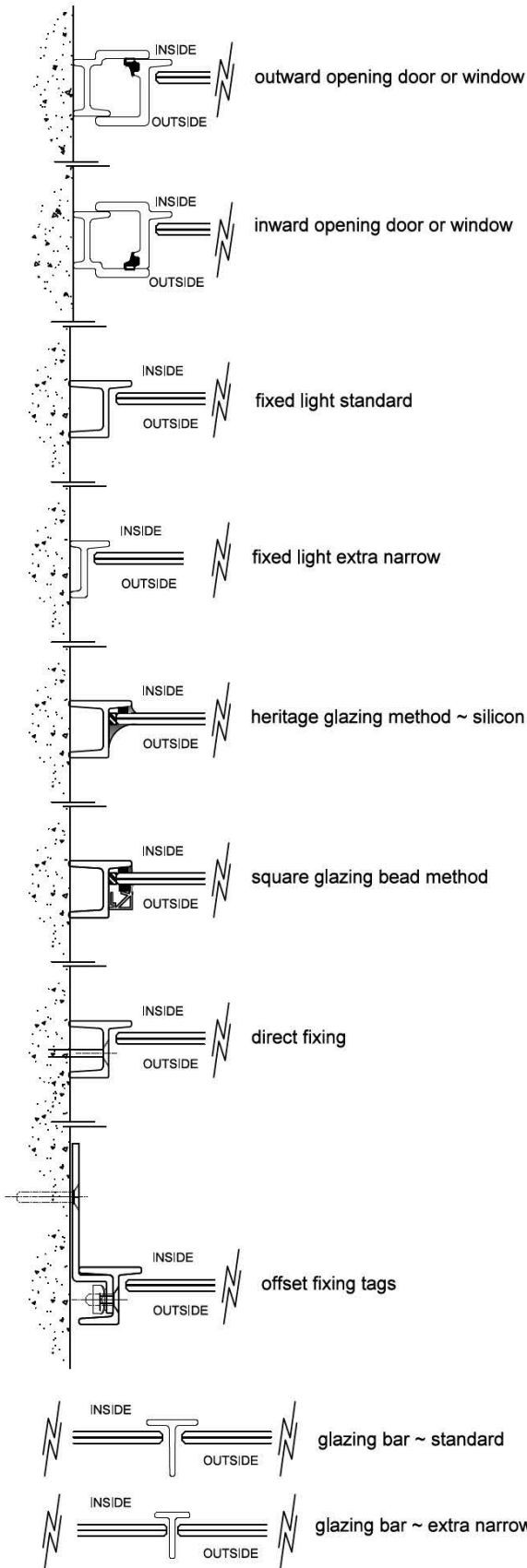
W = 1.01 kg/m



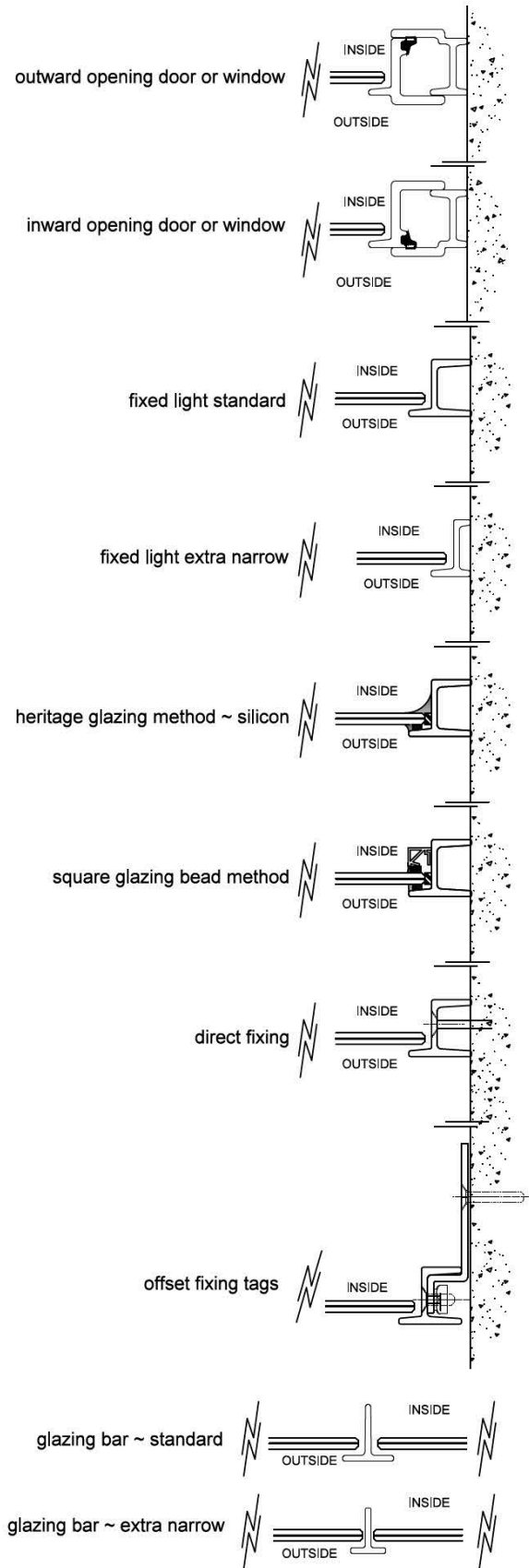
# Configuration Options

## EQUAL STEP PROFILE CONFIGURATIONS

### OUTSIDE GLAZING DETAILS



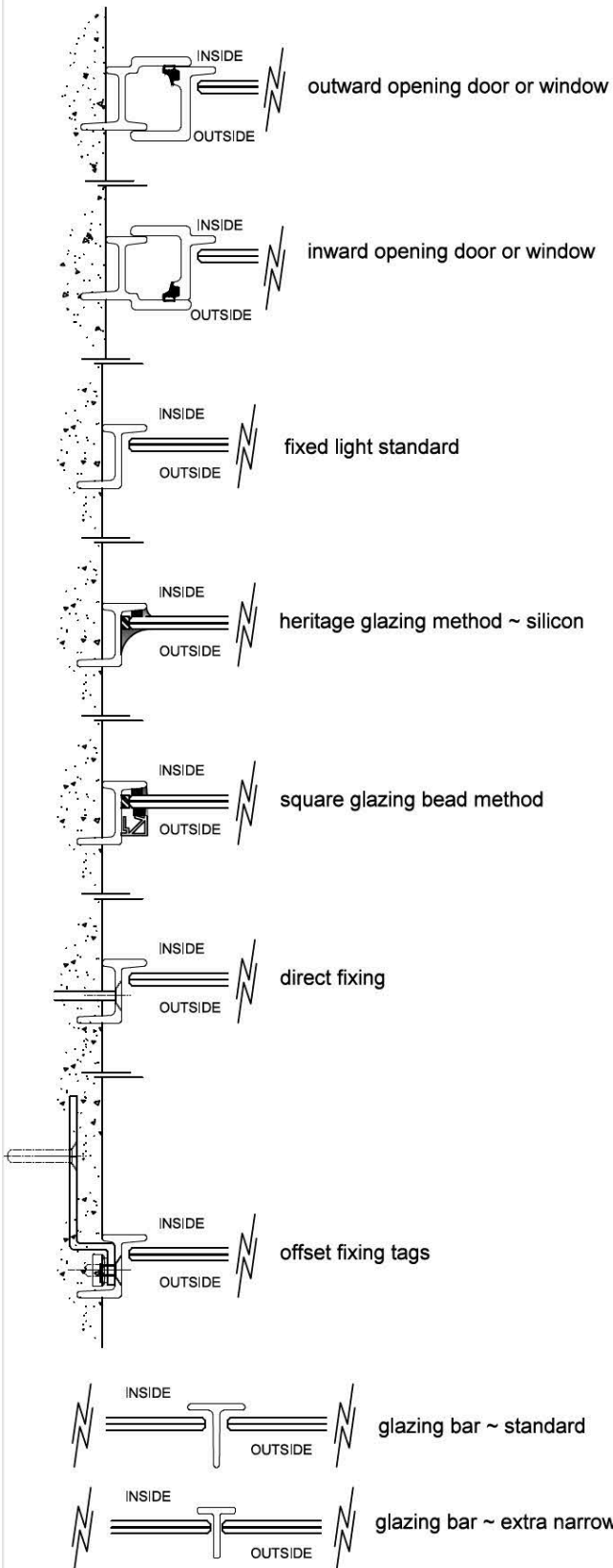
### INSIDE GLAZING DETAILS



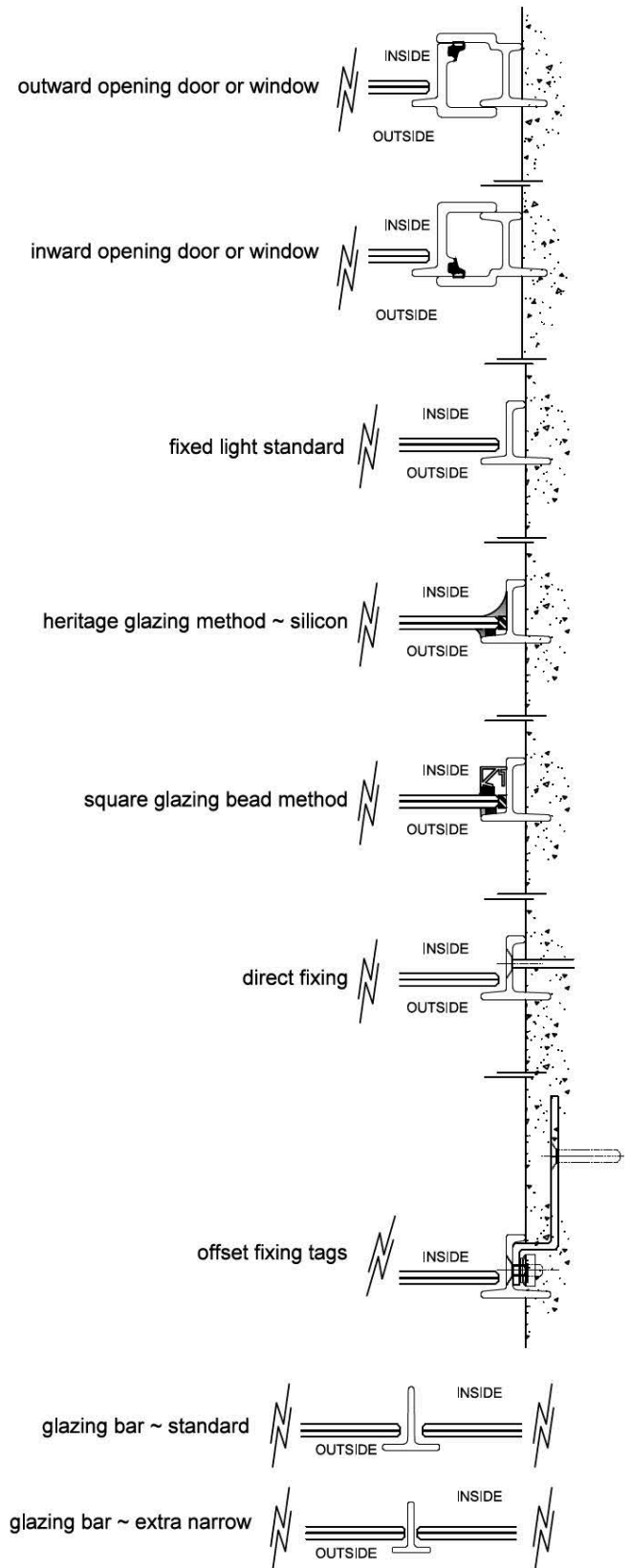
# Configuration Options

## OUTSIDE STEP PROFILE CONFIGURATIONS

### OUTSIDE GLAZING DETAILS



### INSIDE GLAZING DETAILS



# Configuration Options

## INSIDE STEP PROFILE CONFIGURATIONS

### OUTSIDE GLAZING DETAILS

### INSIDE GLAZING DETAILS

